

Driver LC 50W 200-350mA stepDIM Ip SNC

essence series (stepDIM)



LED driver with sensor (included in delivery)

Product description

- _ LED Constant current LED driver for luminaire installation
- _ Motion and daylight detection (included in delivery)
- _ LED driver with sensor (included in delivery).
- _ For luminaires of protection class I and protection class II
- _ Temperature protection as per EN 61347-2-13 C5e
- _ Selectable fixed output current 350, 300, 250 and 200 mA
- _ Max. output power 50 W
- _ Up to 88 % efficiency
- _ Nominal lifetime up to 50,000 h
- _ 5 years guarantee (conditions at www.tridonic.com)

Housing properties

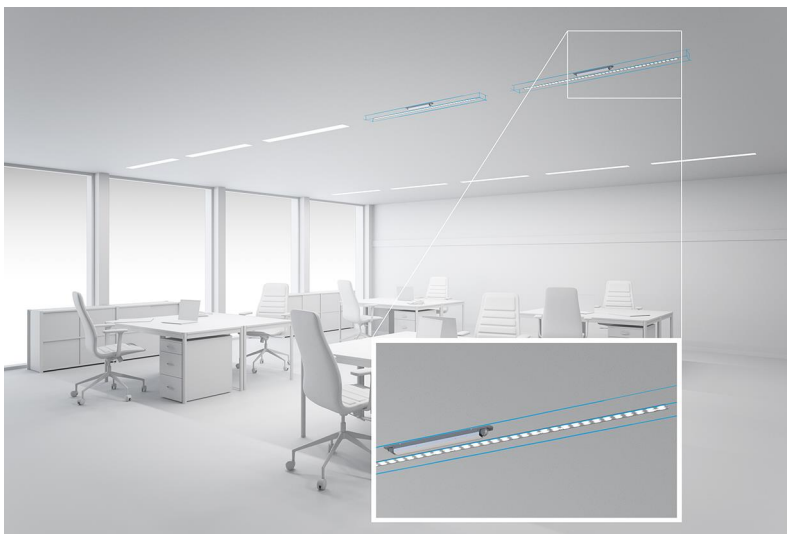
- _ Casing driver: metal, white
- _ Casing sensor: polycarbonate, white
- _ Type of protection IP20

Functions

- _ Overload protection
- _ Short-circuit protection
- _ No-load protection

Website

<http://www.tridonic.ae/87500976>



Spotlights



Downlights



Linear



Area



Floor | Wall



Free-standing



Street



Decorative

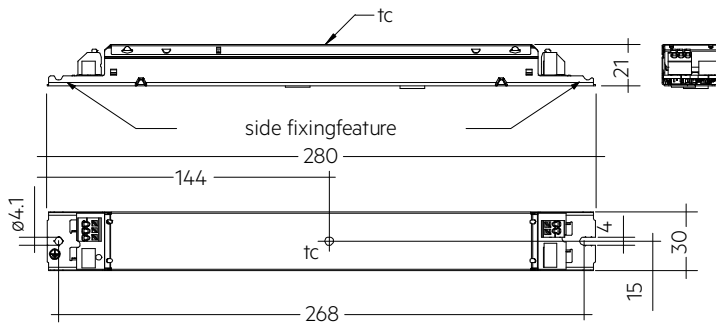


High bay

Driver LC 50W 200-350mA stepDIM Ip SNC

essence series (stepDIM)

The complete data sheet for this product is available in the Downloads section.

**Ordering data**

Type	Article number	Packaging, carton	Packaging, pallet	Weight per pc.
LC 50/200-350/170 stepDIM Ip SNC	87500976	20 pc(s).	280 pc(s).	0.211 kg
LC 50/200-350/170 stepDIM Ip SNC	87500976	20 pc(s).	280 pc(s).	0.211 kg

Technical data

Rated supply voltage	220 – 240 V
AC voltage range	198 – 264 V
Max. input current (at 230 V, 50 Hz, full load)	0.251 A
Leakage current (at 230 V, 50 Hz, full load)	< 700 μ A
Mains frequency	50 / 60 Hz
Overvoltage protection	320 V AC, 1 h
Max. output power	50 W
Output power range	14.4 – 50.4 W
Typ. efficiency (at 230 V, 50 Hz, full load) ^①	88 %
λ (at 230 V, 50 Hz, full load) ^①	0.95
Output current tolerance ^②	\pm 7.5 %
Max. output voltage (U-OUT)	250 V
THD (at 230 V, 50 Hz, full load) ^①	< 15 %
Max. peak output current at full load ^①	390 mA
Output LF current ripple (< 120 Hz) at full load	\pm 3 %
Output P_ST_LM (at full load)	\leq 1
Output SVM (at full load)	\leq 0.4
Starting time (at 230 V, 50 Hz, full load)	\leq 0.5 s
Turn off time (at 230 V, 50 Hz, full load)	\leq 0.5 s
Hold on time at power failure (output)	0 s
Ambient temperature t_a (at lifetime 50,000 h)	60 °C
Storage temperature t_s	-40 ... +80 °C
Mains burst capability	1 kV
Mains surge capability (between L - N)	1 kV
Mains surge capability (between L/N - PE)	2 kV
Surge voltage at output side (against PE)	4 kV
Lifetime	up to 50,000 h
Guarantee	5 Year(s)
Dimensions L x W x H	280 x 30 x 21 mm
Hole spacing D	268 mm

Approval marks

Standards

EN 55015, EN 61000-3-2, EN 61000-3-3, EN 61347-1, EN 61347-2-13, EN 61547, EN 62384, EN 60598-1

Specific technical data

Type	Output current ^①	Min. output voltage	Max. output voltage	Max. output power	Typ. power consumption (at 230 V, 50 Hz, full load)	Typ. current consumption (at 230 V, 50 Hz, full load)	tc point max.	Ambient temperature ta	I-out select
LC 50/200-350/170 stepDIM Ip SNC	200 mA	72 V	170 V	34.0 W	38.6 W	175 mA	85 °C	-20 ... +60 °C	1=off / 2=off
LC 50/200-350/170 stepDIM Ip SNC	200 mA	72 V	170 V	34.0 W	38.6 W	175 mA	85 °C	-20 ... +60 °C	1=off / 2=off
LC 50/200-350/170 stepDIM Ip SNC	250 mA	72 V	170 V	42.5 W	48.1 W	215 mA	85 °C	-20 ... +60 °C	1=off / 2=on
LC 50/200-350/170 stepDIM Ip SNC	250 mA	72 V	170 V	42.5 W	48.1 W	215 mA	85 °C	-20 ... +60 °C	1=off / 2=on
LC 50/200-350/170 stepDIM Ip SNC	300 mA	72 V	170 V	51.0 W	56.6 W	251 mA	85 °C	-20 ... +60 °C	1=on / 2=off
LC 50/200-350/170 stepDIM Ip SNC	300 mA	72 V	170 V	51.0 W	56.6 W	251 mA	85 °C	-20 ... +60 °C	1=on / 2=off
LC 50/200-350/170 stepDIM Ip SNC	350 mA	72 V	144 V	50.4 W	56.6 W	251 mA	85 °C	-20 ... +60 °C	1=on / 2=on
LC 50/200-350/170 stepDIM Ip SNC	350 mA	72 V	144 V	50.4 W	56.6 W	251 mA	85 °C	-20 ... +60 °C	1=on / 2=on

① Test result at 350 mA.

② Test result at 25 °C.

③ Output current is mean value.